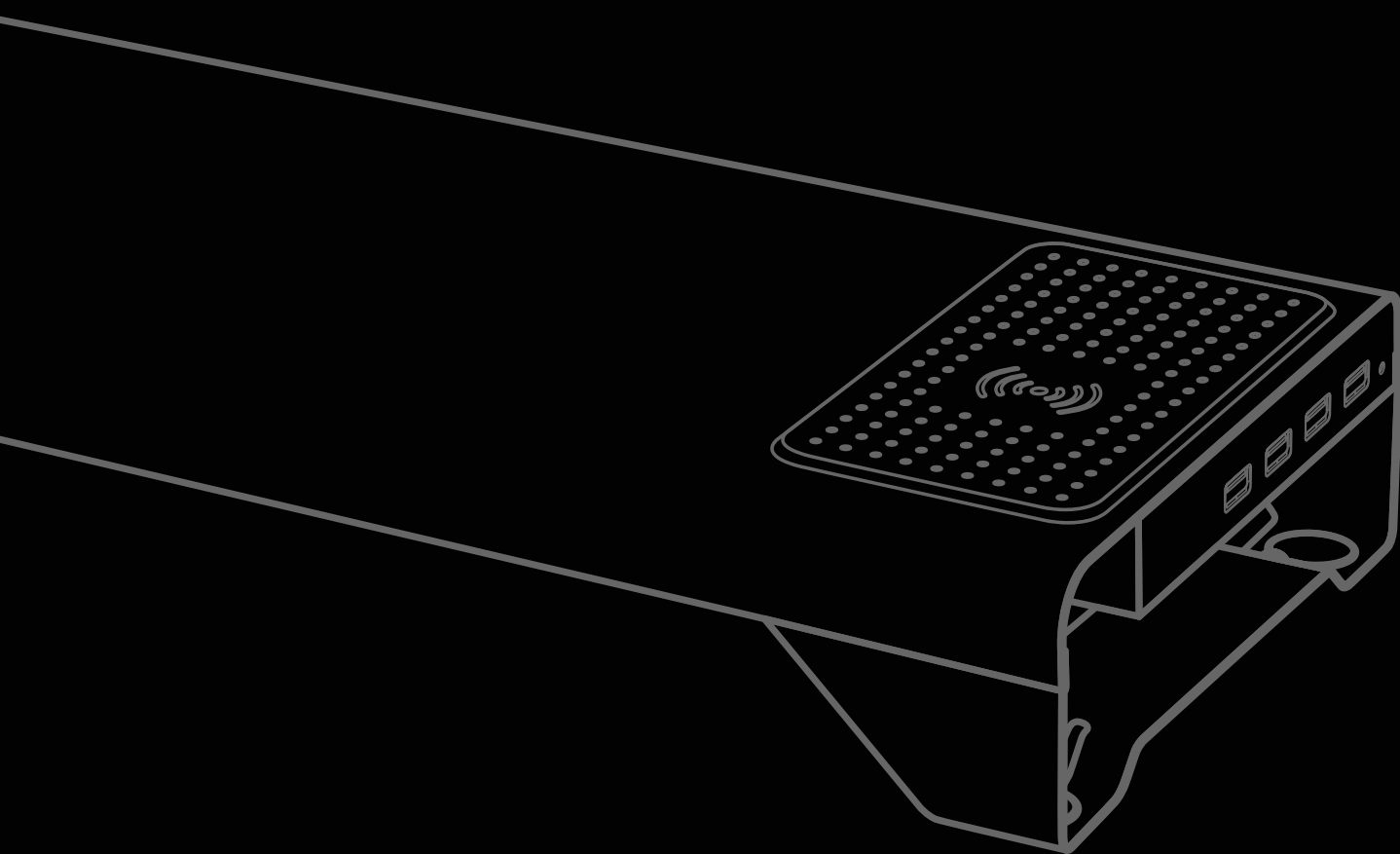




Monitor Stand POWER

MANUAL



1. Specifications

1.1 General

Material	Steel
Material Thickness	1.3 mm
Anti-Sliding Pads	✓
Color Versions	Black, Grey
Max. Load	20 kg
Weight	1.4 kg
Dimensions (L x W x H)	580 x 190 x 73 mm
Max. Height for Keyboards	4.6 cm
Max. Length for Keyboards	44 cm

1.2 USB Hub

Interfaces	4x USB 3.0
Max. Data Transfer Rate	5 Gbit/s
Cable Length	110 cm
Supported Operating Systems	Windows, macOS, Linux

1.3 Wireless Charger

Surface Material	Rubber
Input Power	5 V / 2 A
Output Power	5 V / 1 A
Foreign Object Detection	✓

1.4 Package Contents

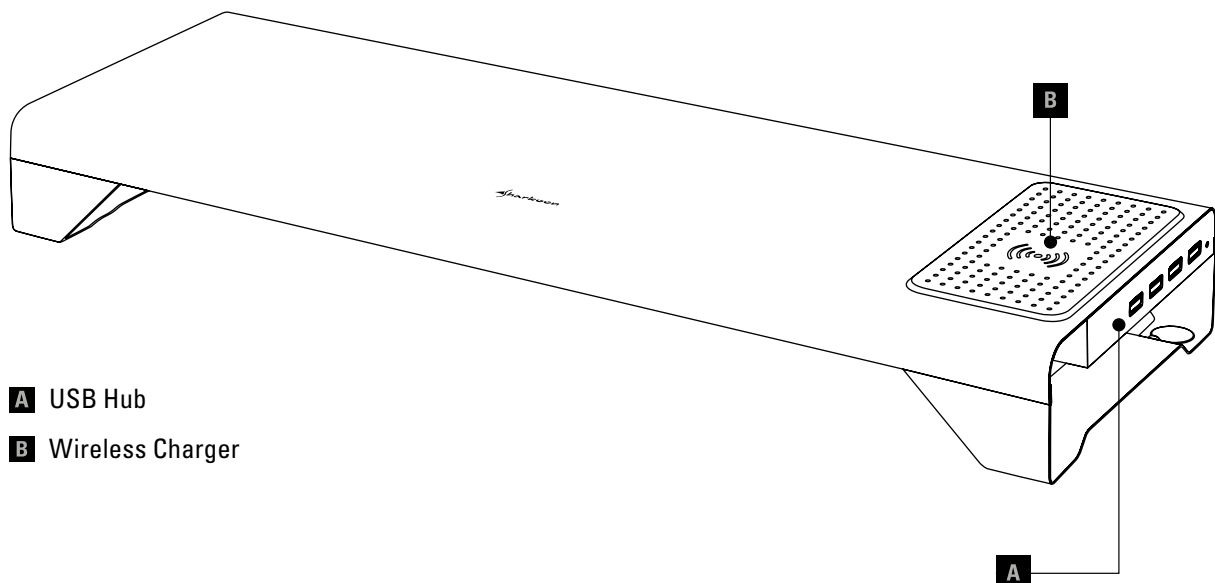
- Monitor Stand POWER
- Manual
- USB 3.0 Cable (Type A Plug to Micro-B Plug)
- Power Adapter



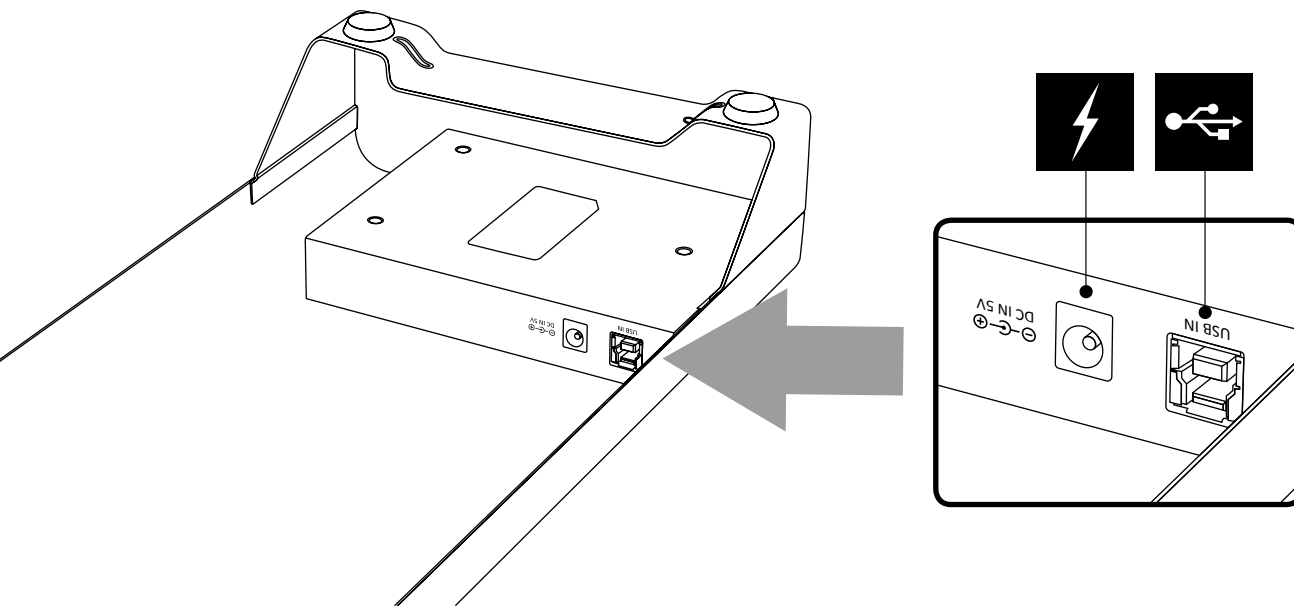
2. Safety Instructions

- A) To avoid damage, do not place more than 20 kg total on the monitor stand.
- B.) Ensure that the monitor, notebook, MacBook or iMac are placed centered on the Monitor Stand POWER.
- C.) Do not try to take the product apart or repair on your own! If there are any problems with this device, contact our Technical Support at support@sharkoon.com.
- D) Keep the product away from heat sources and magnetic objects.
- E) Do not expose the monitor stand to water or moisture.
- F) The operating temperature should not exceed 40°C during use.

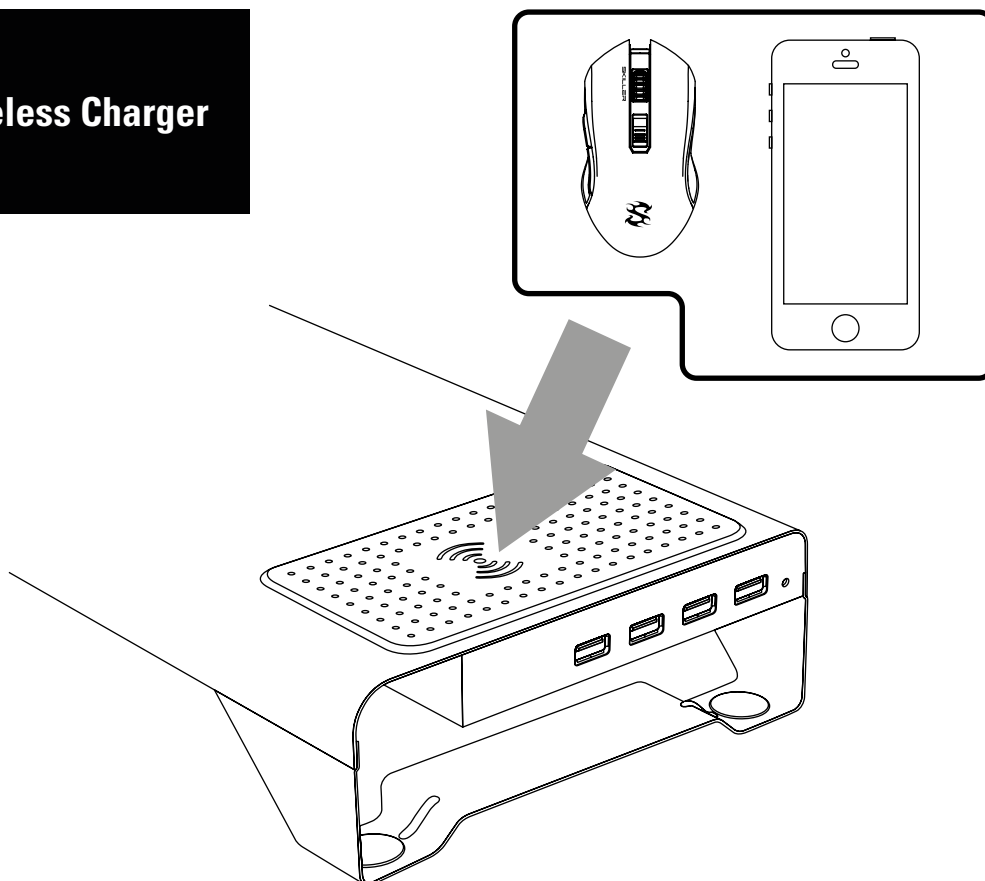
3. Overview



4. Power Supply / Connecting to the PC



5. Wireless Charger



For wireless charging of compatible devices, such as mice or smartphones, place the device centered on the wireless charger. The charging process should start automatically. If not, make sure that there are no resistors, such as smartphone cases, between the charger and the device.



For potential loss of data, especially due to inappropriate handling, Sharkoon assumes no liability.

All named products and descriptions are trademarks and/or registered trademarks of the respective manufacturers and are accepted as protected.

As a continuing policy of product improvement at Sharkoon, the design and specifications are subject to change without prior notice. National product specifications may vary.

All rights reserved especially (also in extracts) for translation, reprinting, reproduction by copying or other technical means. Infringements will lead to compensation. All rights reserved especially in case of assignation of patent or utility patent. Means of delivery and technical modifications reserved.

Disposal of your old product

Your product is designed and manufactured with high quality materials and components, which can be recycled and reused.



When this crossed-out wheeled bin symbol is attached to a product, it means the product is covered by the European Directive 2012/19/EU.

Please be informed about the local separate collection system for electrical and electronic products.

Please act according to your local rules and do not dispose of your old products with your normal household waste. The correct disposal of your old product will help prevent potential negative consequences to the environment and human health.

Sharkoon Technologies GmbH

Grüninger Weg 48
35415 Pohlheim
Germany

© **Sharkoon Technologies 2019**

www.sharkoon.com

